

PACKAGE WATER COOLED CONDENSING UNIT

MODEL: PWC-CU-H

CAPACITY: 6.8 to 21.9 Nominal Tons

81,240 to 262,200 BtuH

23.8 to 76.8 KW



Features/Benefits

Quality design and construction make the PWC-CU (Water-Cooled) units the preferred choice. Easy installation. The PWC-CU condenser has a compact design that fits through a standard door opening and requires minimal indoor space. The PWC-CU condenser is delivered as a complete package for easy installation. There are no extra controls, clocks, starters, or other items to install.

The PWC-CU unit also provides a single location electrical power entrance (using the accessory field-installed control power transformer) and quick, easy piping. The PWC-CU units are designed in a quick start-up is assured once installation is complete, since each PWC-CU unit is manufactured at an ISO 9002-listed manufacturing facility to guarantee quality. In addition, all PWC-CU units are tested under load at the factory to provide reliable start-up.

PHYSICAL DATA & ELECTRICAL DATA

MODEL: PWC-CU-H		007	009	010	012	015	018	020	025
Nominal Cooling Capacity	BTUH	81,240	89,700	104,400	131,200	162,480	179,400	208,800	262,200
	Tons	6.77	7.48	8.70	10.93	13.54	14.95	17.40	21.85
	KWH	23.8	26.3	30.6	38.4	47.6	52.6	61.2	76.8
No. Of Circuits		1				2			
Compressor	Type	Hermetic							
	HP.	7.5	9	10	12	7.5	9	10	12
	Qty./Unit	1	1	1	1	2	2	2	2
Water Cooled Condenser									
Water Flowrate	(GPM)	19	24	29	34	2 x 19	2 x 24	2 x 29	2 x 34
Entering / Leaving Water Temp.	°F	90 / 100							
	°C	32 / 38							
Water Pressure Drop	(Ft. WG)	11.5	10.2	14.9	9.5	2 x 11.5	2 x 10.2	2 x 14.9	2 x 9.5
No. of Water Passes		4							
Water Connection In / Out	(mm) (in)	(25) (1)		(38) (1-1/2)		(2 x 25) (2 x 1)		(2 x 38) (2 x 1-1/2)	
Qty./Unit		1				2			
Refrigerant	Type	R-22 (R-407C On Request Only)							
	Charge	Holding							
Compressor (Each)	V / PH / Hz	380V / 3P / 50Hz							
	V / PH / Hz	440V / 3P / 60Hz							
	RLA. (Amp)	15.8	19.3	21.1	27.6	15.8	19.3	21.1	27.6
	LRA. (Amp.)	91.1	96.5	104	135	91.1	96.5	104	135
Weight	Operation (Kgs.)	230	230	268	310	593	602	656	780

Note :

RLA = Rated Load Amp.

LRA = Locked Rotor Amp.

* Nominal Cooling Capacity Based on 3°C Suction Temp.

Liquid Suncooled -9.4 °C

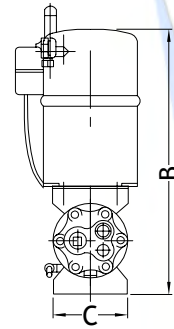
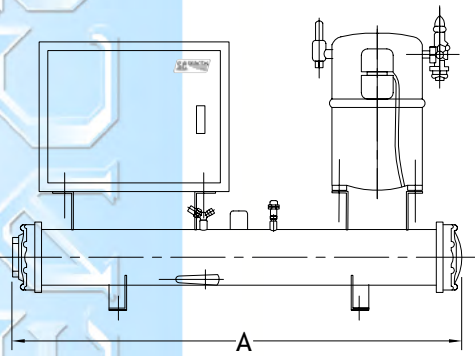
Fouling Factor 0.0005 Ft².h.F / Btu in Chiller

Temperature: 1 °C = 33.8 °F

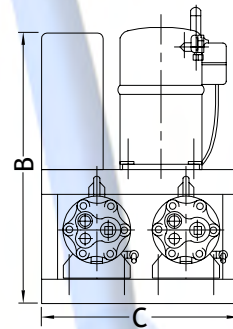
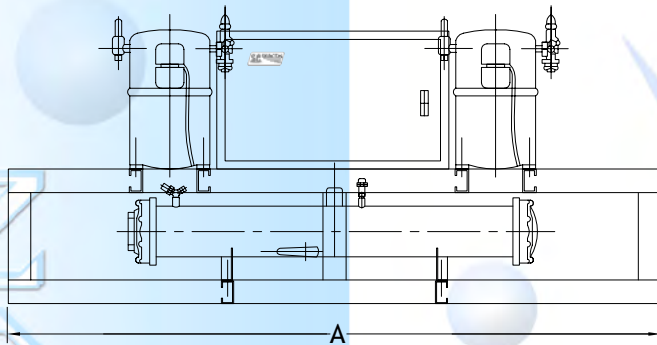
1 °F = -17.2 °C

Air Flow: 1 CFM = 1.699011 CMH

DIMENSIONAL DRAWING



PWC-CWB-H	A	B	C
	mm (inch)		
007-009	1528 (60)	750 (29)	279 (11)
010	1833 (72)	777 (31)	279 (11)
012	1833 (72)	777 (31)	279 (11)



PWC-CWB-H (2 CIRCUIT)	A	B	C
	mm		
015	1928 (76)	983 (39)	650 (26)
018	2133 (84)	974 (38)	650 (26)
020			
025	2438 (96)	1045 (41)	762 (30)